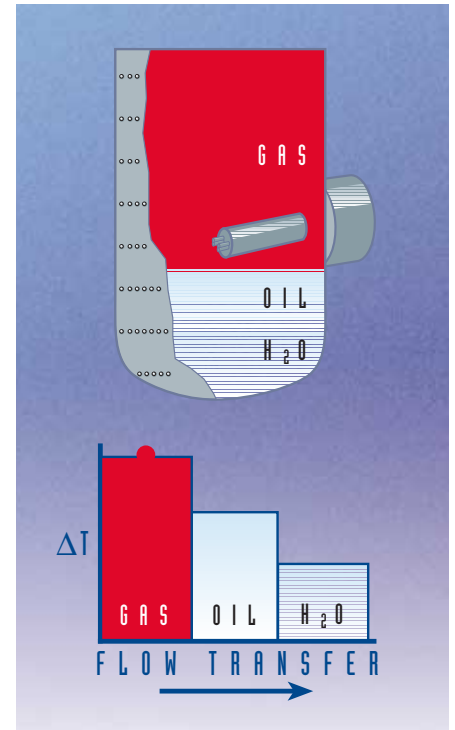
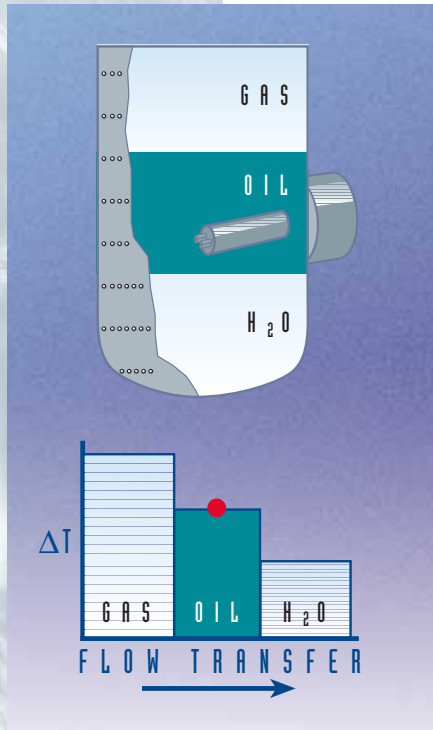
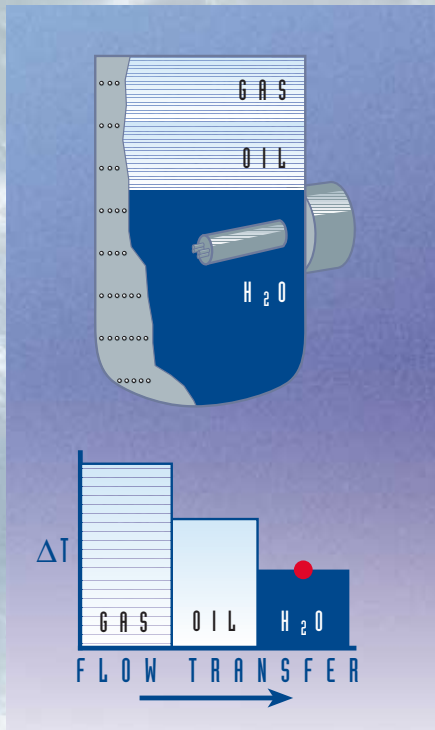


FCT THERMAL DISPERSION TECHNOLOGY LIQUID LEVEL & INTERFACE SENSING



FEATURES

- No Moving Parts
- Direct Mass Measurement
- Simple Installation
- Switch or Transmitter Output
- Low Flow Sensitivity
- Wide Turndown Range (100 to 1 or more)
- Low Pressure Drop
- Simultaneous Flow and Temperature Indication
- Extreme Temperature, Pressure and Vibration Service
- High Reliability and Maintenance Free
- Corrosion, Abrasion and Fouling Resistant
- Low Weight Compact Design

